



Expanding Your Solutions

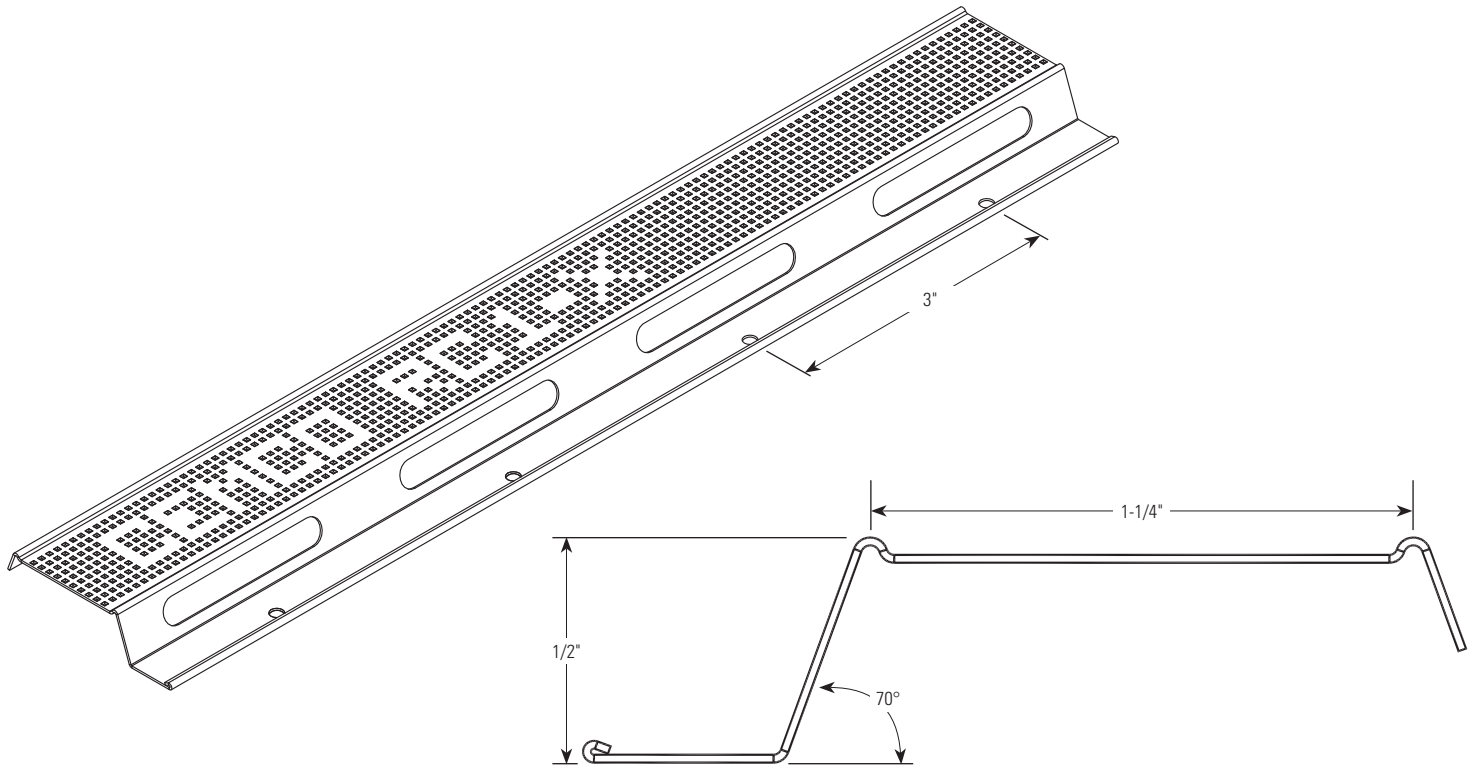
Corporate Headquarters
13191 Crossroads Parkway North, Suite 325
City of Industry, CA 91746
Phone: 800.775.2362
Fax: 626.330.7598

Manufacturing Facilities
City of Industry, CA
Denver, CO
Ft. Worth, TX
Pittsburg, CA

Structural Engineering/Design
1001-A Pittsburgh Antioch Hwy
Pittsburg, CA 94565
Phone: 800.775.2362
Fax: 626.330.7598

Technical Services
263 North Covina Lane
City of Industry, CA 91744
Phone: 800.416.2278
Fax: 626.249.5005

"RC1-X" RESILIENT CHANNEL (1/2" HEIGHT)



Geometric Properties

CEMCO's **RC1-X** resilient channels are manufactured with a 1-1/4" top flange, and a 1/2" nailing/screw attachment flange, giving the channel 1/2" furring height from the face of the wall stud. **RC1-X** is produced from hot-dipped galvanized steel in standard G40 coating weight. G60 is available upon special request.

Steel Thickness

Thickness (mil)	Design Thickness (in) ¹	Minimum Thickness (in) ²
18	0.0188 (0.48mm)	0.0179 (0.46mm)

Notes:
1. Uncoated Steel Thickness. Thickness is for carbon sheet steel.
2. Minimum Thickness represents 95% of the design thickness and is the minimum acceptable thickness delivered to the job site, based on the 2012 AISI.

Color Code (painted on ends):

18-mil: None

ASTM & Code Standards:

- ASTM A653/A653M, A924/A924M, C645, A1003/A1003M, C645, C754 (installation)
- ISI 2012 NAS
- 2012 & 2015 IBC
- 2010 & 2013 CBC

Technical Services

Technical Services: 800.416.2278
Structural Engineering/Design: 925.473.9340
www.cemcosteel.com

LEED v3 for Building and Design Construction

- MR Credit 2: Construction Waste Management.
- MR Credit 4: Recycled Content.

LEED v4 for Building and Design Construction

- MR Prerequisite: Construction and Demolition Waste Management Planning.
- MR Credit: Construction and Demolition Waste Management.
- MR Credit: Building Product Disclosure and Optimization – Sourcing of Raw Materials, Option 2.
- MR Credit: Building Product Disclosure and Optimization – Environmental Product Declarations, Options 1 & 2.
- MR Credit: Building Product Disclosure and Optimization – Material Ingredients, Option 1.
- MR Credit: Building Life-Cycle Impact Reduction, Option 4.

CEMCO cold-formed steel framing products contain 30% to 37% recycled steel.

- Total Recycled Content: 36.9%
- Post-Consumer: 19.8%
- Pre-Consumer: 14.4%



This technical information reflects the most current information available and supersedes any and all previous publications effective June 1, 2016.